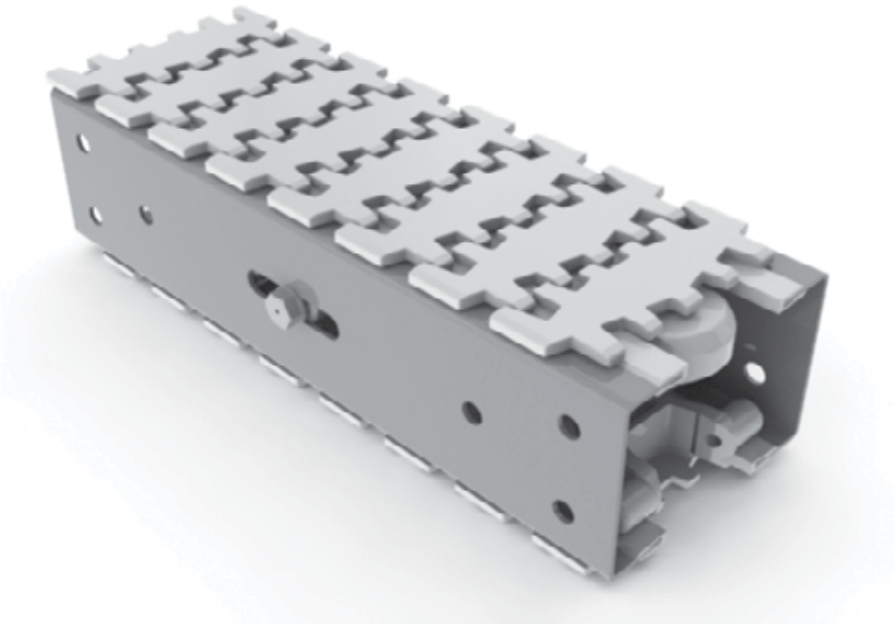


SC
103mm Stainless
Steel Conveyor
System



SC

SC SERIES

Variety of chain type suitable for wide range of applications either horizontal or vertically product transportation.

SC Series Characteristic

Beam Width: 105mm

Product Width: Refer to Guide Rail Assembly

Accessories Needed

Slide Rail Required: FASR-25 OR FASR-25U

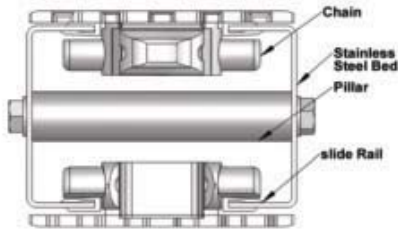
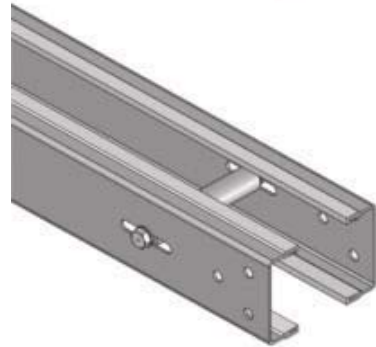
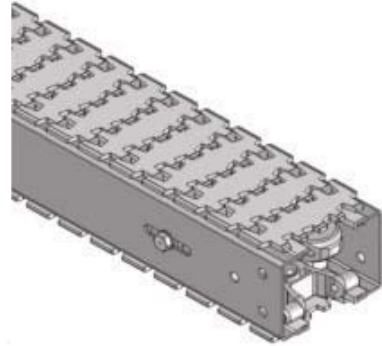
Slide Rail Colour: White Or Natural Colour

Slide Rail Material: HDPE OR UHMW

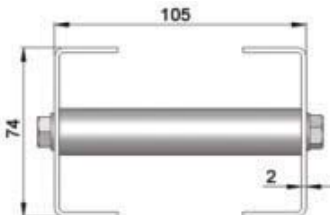
Slide Rail Rivet: FASLS-M5

Connecting strip is used to connect 2 beams.

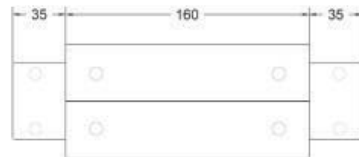
Connecting Strip: SACS-50x75



Conveyor Beam **SCCB**



Conveyor Beam **SCCC-160**





SCIE-320
Idler End



SCDD-R
Direct Drive



SAHBS-90M
Horizontal
Beam Support



**Tripod
Structure**

SC SERIES

Chain Common Data

Packaging: 5m per box

Pitch: 35.5mm

Width: 103mm

Tensile Strength at 20°C: 6000N

Colour: White & Black (Conductive)

Material :-

Chain: White Acetal / POM

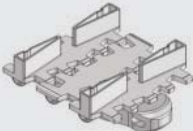
Pivot: Polyamide

Pivot Pin: Stainless Steel

Insert (Wedge & Friction): TPE Grey

Example for FCCT-5A17-L#

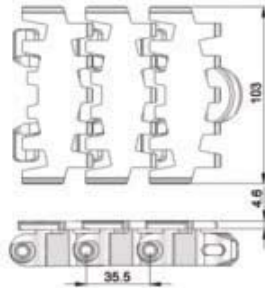
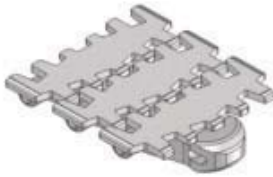
= 1 cleated top chain with alternate of # link of plain chain



The above chain is FCCT-5A17-L1, 1 link cleated top chain with alternate of 1 link of plain chain.

Note: # = 1, 2, 3, 4, 5.....20

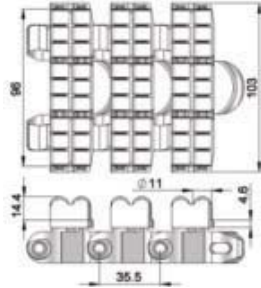
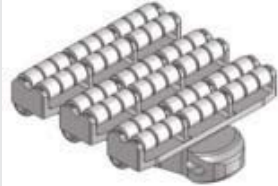
Standard Plain Chain FCPC-5



UOM: 5 Meter / box

Application: Suitable for horizontal and slope < 5° transport of products with accumulation.

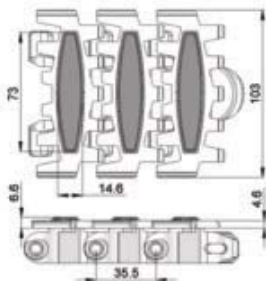
Roller Top Chain FCRT-5



UOM: 5 Meter / box

Application: Suitable for accumulation of product with low friction and pressure.

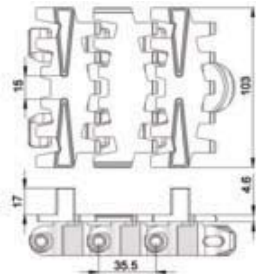
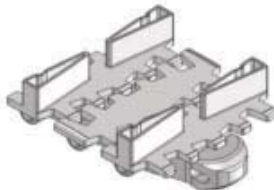
Friction Top Chain FCFT-5



UOM: 5 Meter / box

Application: Suitable for transport product in slope > 5° but ≤ 30° without accumulation.

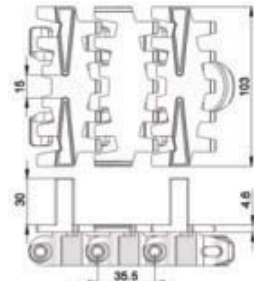
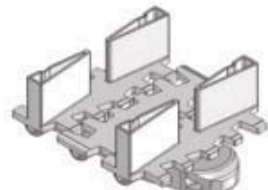
Cleat Top Chain FCCT-5A17-L#



UOM: 5 Meter / box

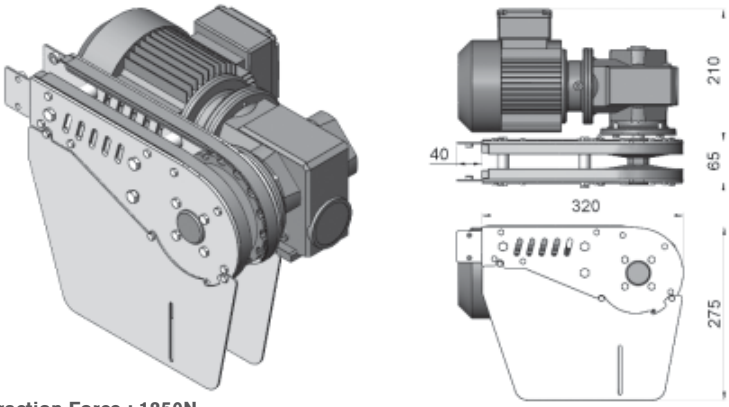
Application: Suitable for vertical transport of product with no accumulation.

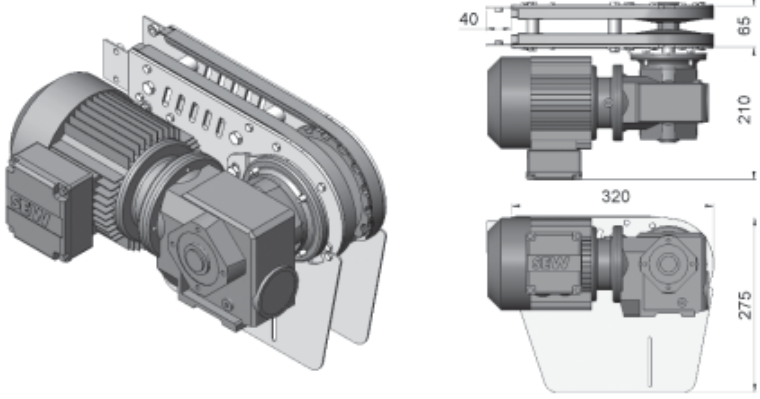
Cleat Top Chain FCCT-5A30-L



UOM: 5 Meter / box

Application: Suitable for vertical transport of product with no accumulation.

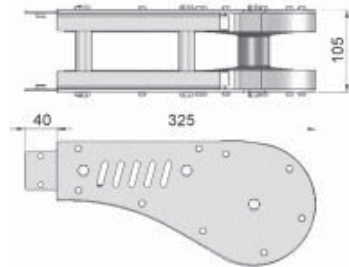
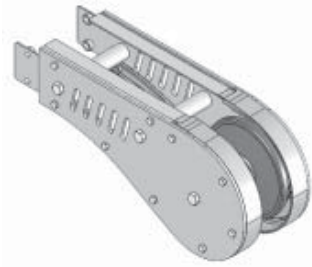
SC Direct End Drive with Motor (LEFT)	SC Direct End Drive without Motor (LEFT)
SCDD-A105-0.25L, 0.37L, 0.55L	SCDD-A105-0
 <p data-bbox="203 694 462 715">Max Traction Force : 1250N</p> <p data-bbox="203 729 1053 772">The Direct End Drive Unit is without torque limiter. Standard attached gear motors are with SEW motor size 0.25kW, 0.37kW & 0.55kW. SCDD-A105-0L represents direct drive without motor. Multi channel drives available upon request.</p> <p data-bbox="203 795 770 815">UOM : pc Chain required 2-way : 0.8 meter Slide rail required 2-way: 0.5 meter</p>	

SC Direct End Drive with Motor (RIGHT)	SC Direct End Drive without Motor (RIGHT)
SCDD-A105-0.25R, 0.37R, 0.55R	SCDD-A105-0R
 <p data-bbox="203 1397 462 1418">Max Traction Force : 1250N</p> <p data-bbox="203 1432 1053 1475">The Direct End Drive Unit is without torque limiter. Standard attached gear motors are with SEW motor size 0.25kW, 0.37kW & 0.55kW. SCDD-A105-0R represents direct drive without motor. Multi channel drives available upon request.</p> <p data-bbox="203 1498 770 1519">UOM : pc Chain required 2-way : 0.8 meter Slide rail required 2-way: 0.5 meter</p>	

SC SERIES

SC Idler End-A105

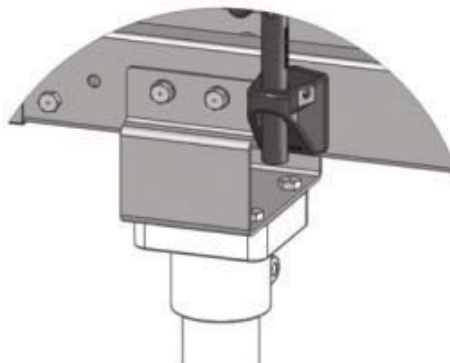
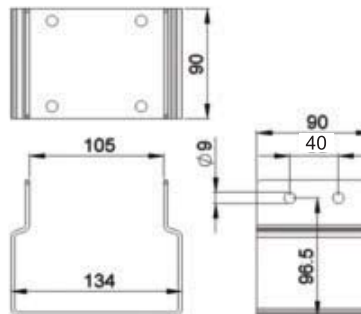
SCIE-A105



UOM : pc Chain required 2-way : 0.8 meter Slide rail required 2-way: 0.5 meter

SAHBS-90C

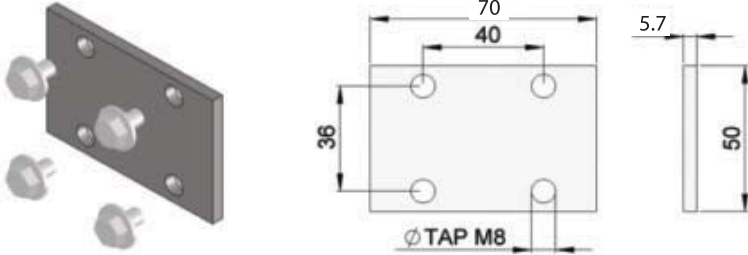
SC Horizontal beam support bracket – Stainless Steel



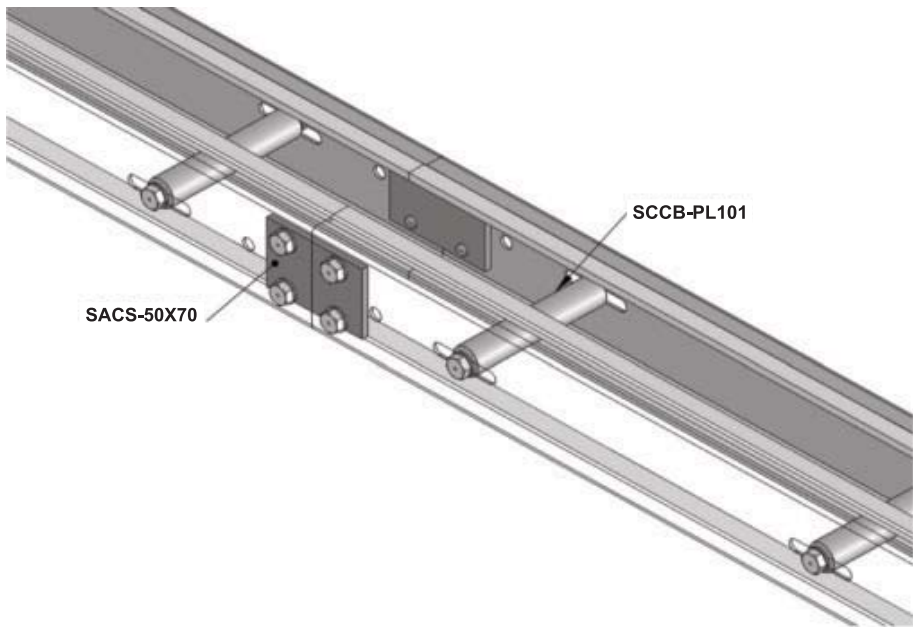
UOM : pc

SACS-50x70

Connecting Strip – Stainless Steel



UOM : pc

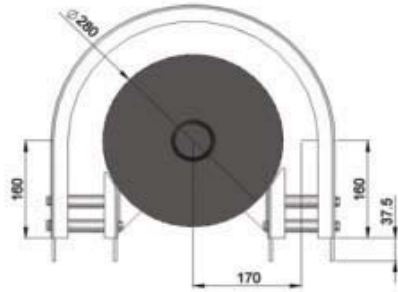
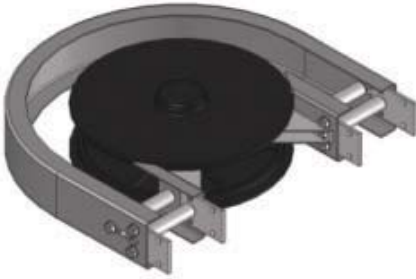


SC

SC SERIES

SC Wheel Bend 180°

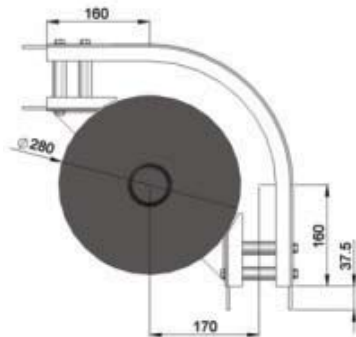
SCWB-180R170A



UOM : pc Chain required 2-way : 1.4 meter Slide rail required 2-way: 2.8 meter

SC Wheel Bend 90°

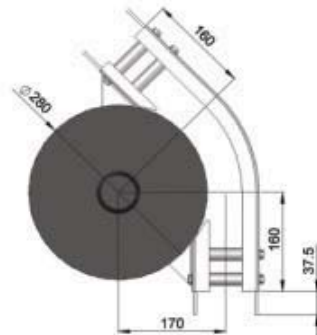
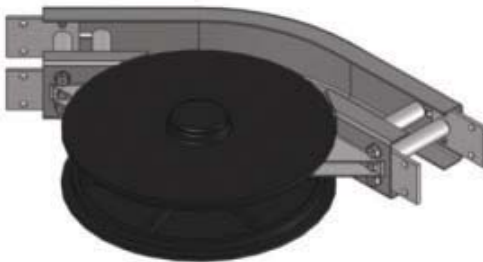
SCWB-90R170A



UOM : pc Chain required 2-way : 0.9 meter Slide rail required 2-way: 1.7 meter

SC Wheel Bend 45°

SCWB-45R170A



UOM : pc Chain required 2-way : 0.6 meter Slide rail required 2-way: 1.2 meter

SC Wheel Bend 5° - 180°

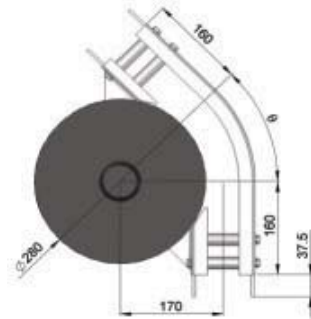
Example for SC Wheel Bend Ordering

- Wheel bend, $\varnothing^\circ \pm 1^\circ$

If angle of 65° is needed for wheel bend, so the ordering part number is

SCWB-65R170

*The outer bend is assembled using connecting strip (SACS-50x75).
Angle of \varnothing° must be indicated when ordering.*

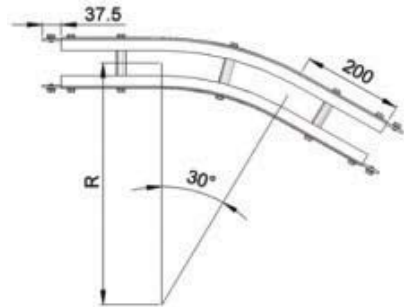


SC Horizontal Plain Bend 30°



UOM : pc

Chain required 2-way (500, 700) : 1.4, 1.6 meter
Slide rail required 2-way(500, 700): 2.8, 3.2 meter



Horizontal plain bend, 30° ± 1°

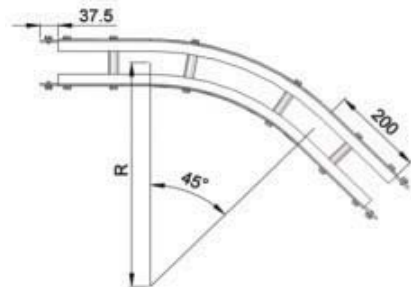
R = 500 ± 10mm **SCHB-30R500**
R = 700 ± 10mm **SCHB-30R700**

SC Horizontal Plain Bend 45°



UOM : pc

Chain required 2-way (500, 700) : 1.6, 1.9 meter
Slide rail required 2-way(500, 700): 2.9, 3.3 meter

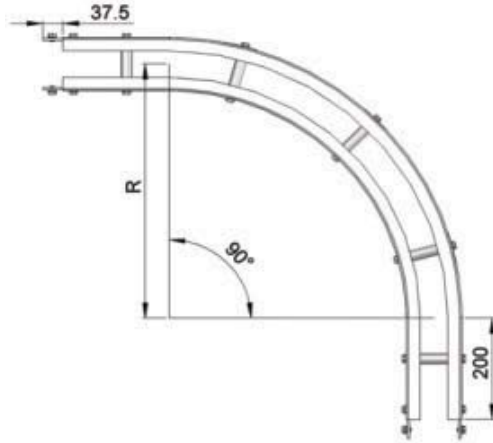
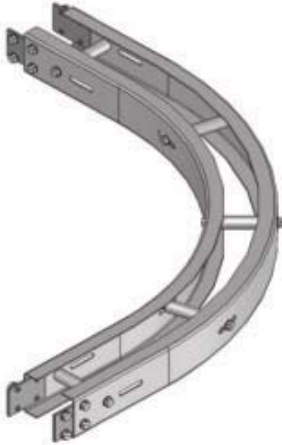


Horizontal plain bend, 45° ± 1°

R = 500 ± 10mm **SCHB-45R500**
R = 700 ± 10mm **SCHB-45R700**

SC SERIES

SC Horizontal Plain Bend 90°



UOM : pc

Chain required 2-way (500, 700) : 2.4, 3.0 meter
 Slide rail required 2-way(500, 700): 4.8, 6.0 meter

Horizontal plain bend, 90° ± 1°

R = 500 ± 10mm **SCHB-90R500**
 R = 700 ± 10mm **SCHB-90R700**

SC Horizontal Plain Bend 5° - 90°

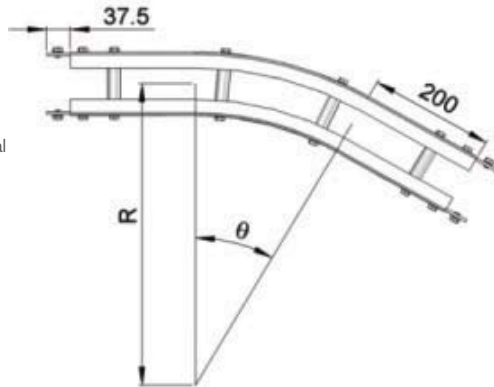
Example for SC Horizontal Plain Bend Ordering

Horizontal plain bend, θ° ± 1°

R = 500 ± 10mm **SCHB-θR500**
 R = 700 ± 10mm **SCHB-θR700**

If angle of 70 is needed for radius R500 horizontal plain bend, so the ordering part number is

SCHB-70R500

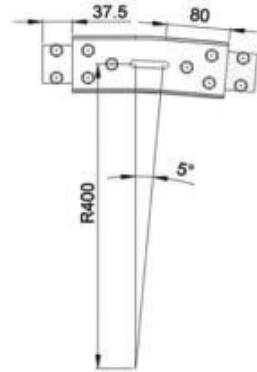
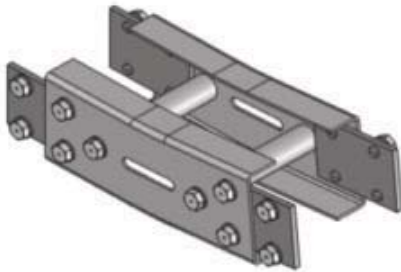


UOM : pc

Chain required 2-way (500, 700) : meter (variable to angle)
 Slide rail required 2-way(500, 700): meter (variable to angle)

SC Vertical Bend 5°

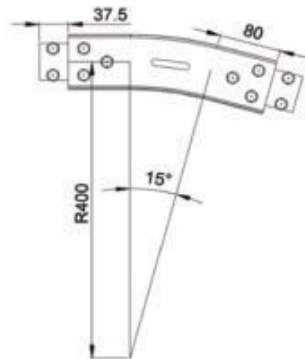
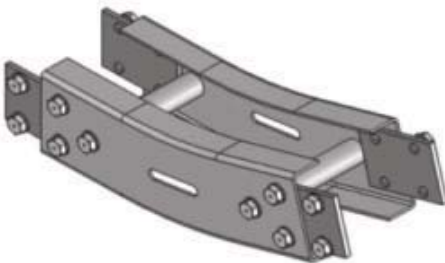
SCVB-5R400



UOM : pc Chain required 2-way: 0.4 meter Slide rail required 2-way: 0.8 meter

SC Vertical Bend 15°

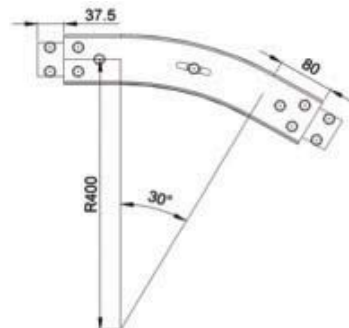
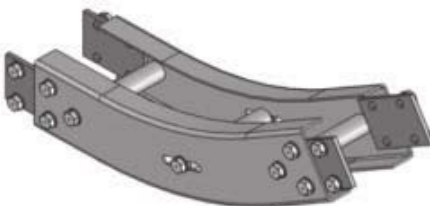
SCVB-15R400



UOM : pc Chain required 2-way: 0.6 meter Slide rail required 2-way: 1.1 meter

SC Vertical Bend 30°

SCVB-30R400



UOM : pc Chain required 2-way: 0.8 meter Slide rail required 2-way: 1.5 meter

SC SERIES

SC Vertical 5° - 90°

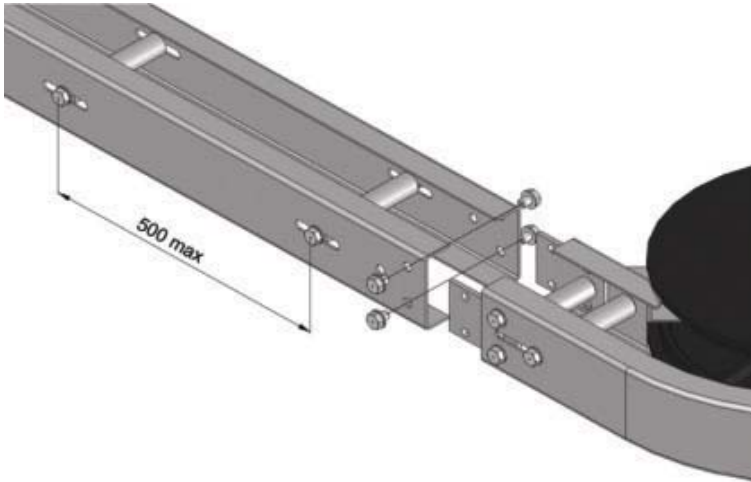
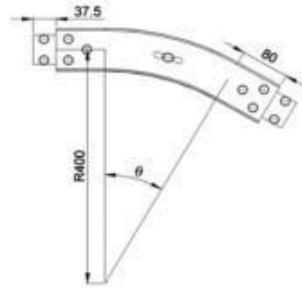
Example for SC Vertical Bend Ordering

- Vertical bend, $\varnothing \pm 1^\circ$

If angle of 25° is needed for vertical bend, so the ordering part number is

SCVB-25R400

*The outer bend is assembled using connecting strip (SACS-50x75).
Angle of \varnothing° must be indicated when ordering.*



SC Tripod Support Structure

SBSC-HXXXX, H=500, 1000, 1500

